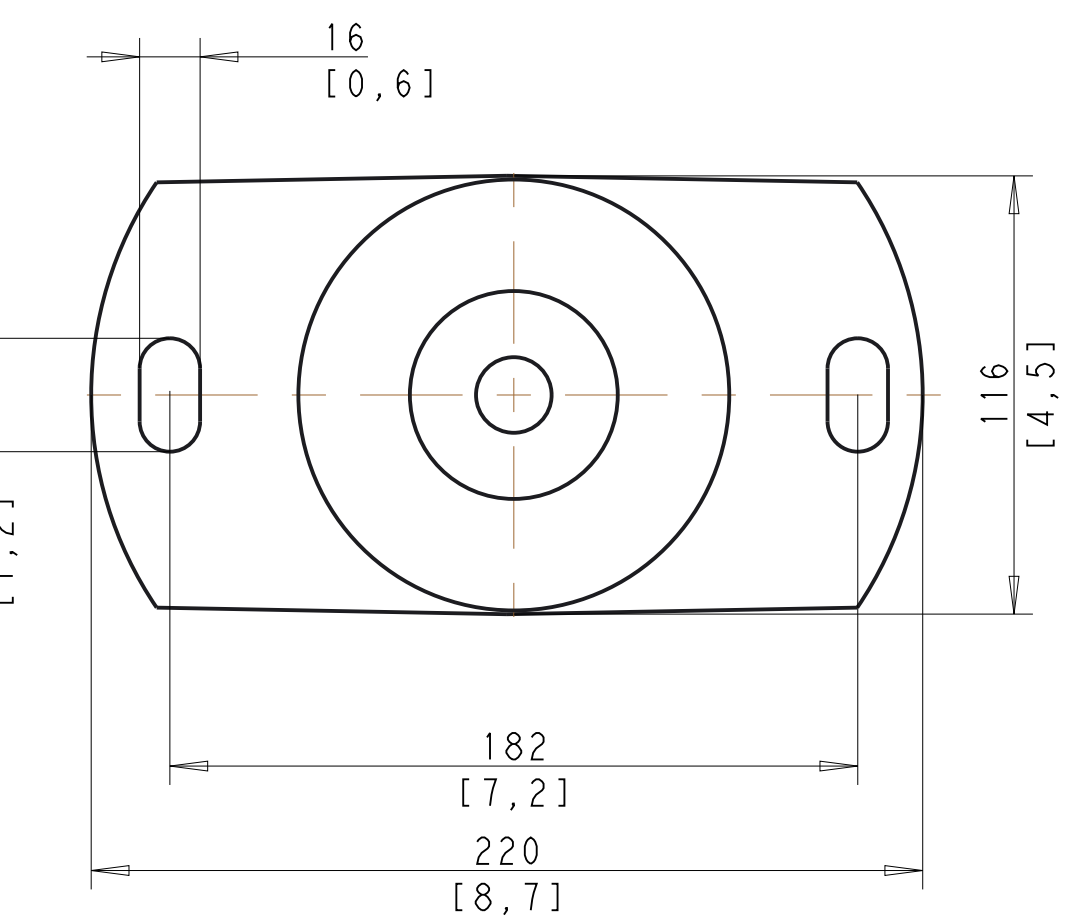
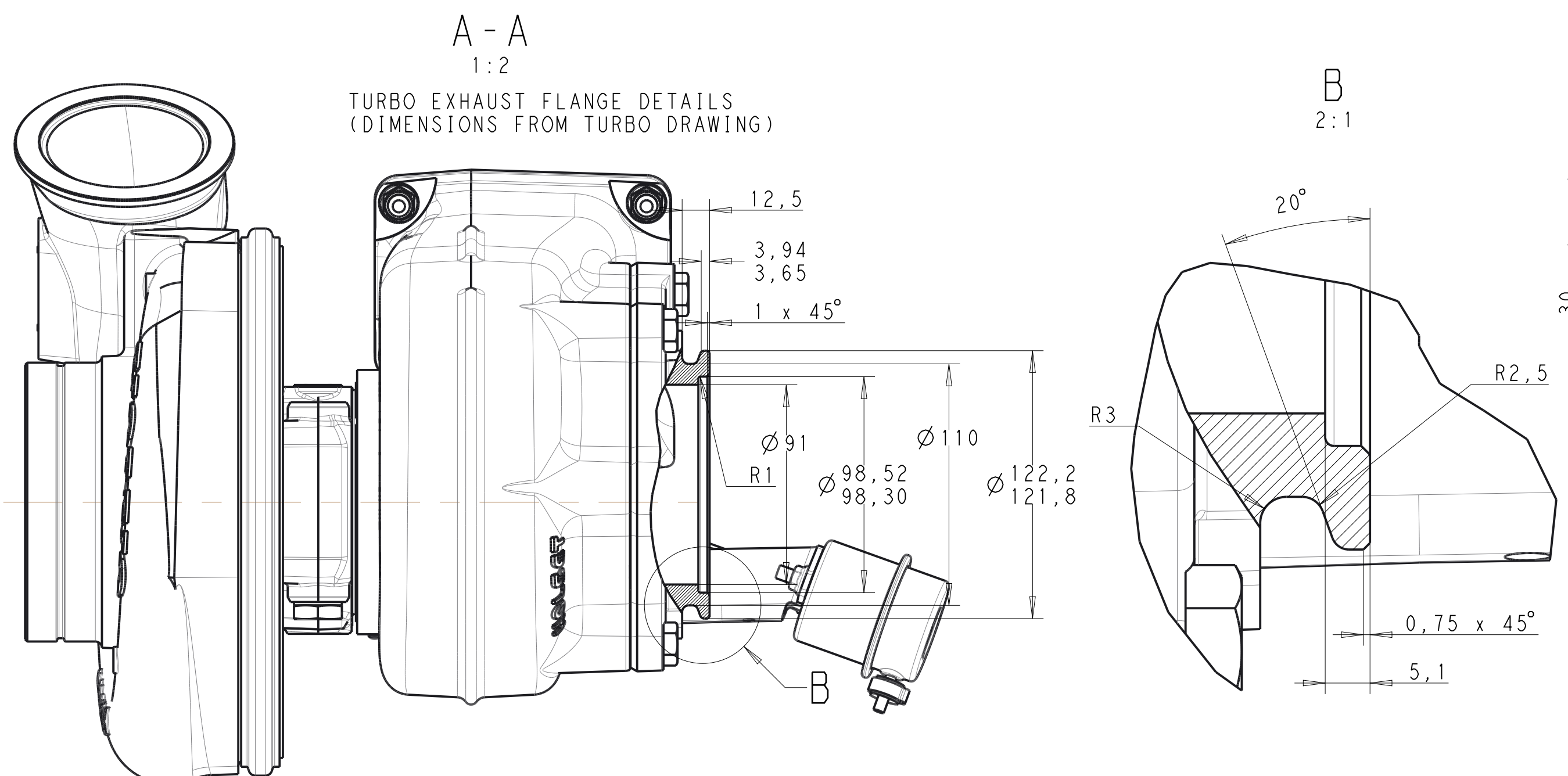
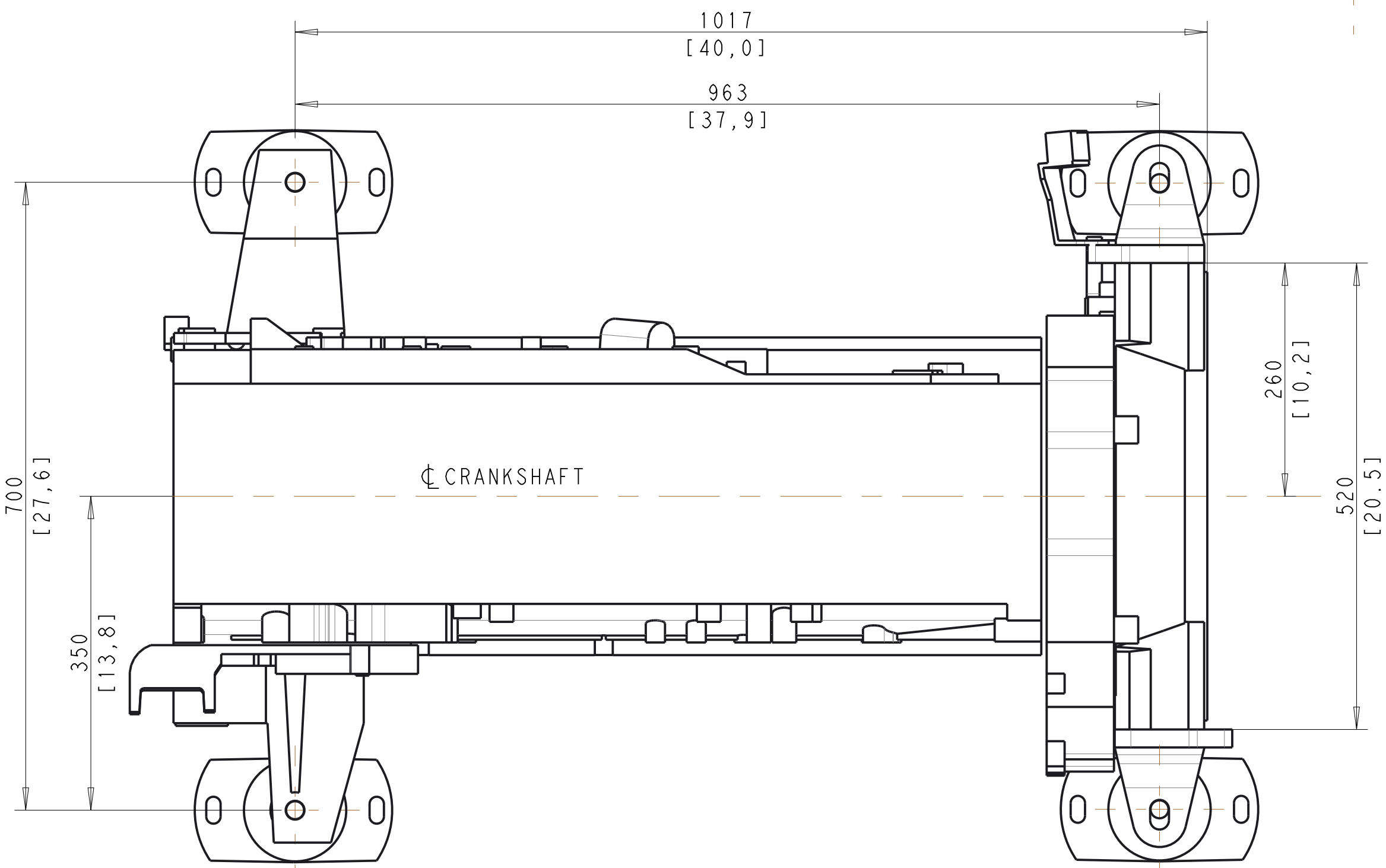


A1	FUEL CONNECTION INLET 500mm HOSE SPHERICAL FITTING ACC TO DIN 3863 (M18 x1,5)
A2	FUEL CONNECTION OUTLET 500mm HOSE SPHERICAL FITTING ACC TO DIN 3863 (M18 x1,5)
A3	FUEL FILTER
A4	PRIMER PUMP
B1	OIL FILLER ENGINE
B2	OIL FILTER (2x)
B3	BYPASS OIL FILTER
B4	OIL DIPSTICK ENGINE (OPTION)
B5	OUTLET FOR OIL BILGE PUMP, 12mm/1/2" I.D. HOSE. PORT ALT. STARBOARD
B6	OIL DIPSTICK ENGINE (OPTION)
C1	FRESH WATER FILLER
C2	FRESH WATER DRAIN POINT (3x)
C3	CONNECTION HOT WATER INLET R 1/2" (OPTION)
C4	CONNECTION HOT WATER OUTLET R 1/2" (OPTION)
D1	SEA WATER INLET FOR Ø63 /2,5" I.D. HOSE. CAN BE TURNED 360°. (I.D. Ø54)
D2	SEA WATER DRAIN POINT (2x)
D3	WET EXHAUST CONNECTION, 152mm/6" I.D. HOSE (OPTION)
E1	CONNECTION BATTERY POS. +
E2	CONNECTION BATTERY NEG. -
E3	AUXILIARY STOP
E4	ECU CONTROL UNIT
F1	AIR FILTER
G1	ELASTIC SUSPENSION (4x)
G2	LIFTING EYE (3x)
H1	DIAGNOSE
H2	CONN. A
H3	CONN. B
J1	POWER STEERING PUMP (OPTION)
K1	TURBO FLANGE



ALL EQUIPMENT ON THE DRAWING IS NOT STANDARD
 FOR WEIGHT AND VOLUMES SEE TECHNICAL DATA SALES GUIDE
 1) WATER LEVEL AT MAXIMUM REGULATED LOAD

SCALE 1:5

SYMBOLS, DESIGNATIONS AND GENERAL DRAWING METHODS STD 101-0005

The copying, distribution and utilization of this document as well as the completion of its contents to other persons without the prior written permission of the copyright holder is prohibited. Offenders will be held liable for damages. All content is provided in the interest of the user's safety. Liability is excluded for any damage or injury caused by the use of the information.

Document Title: ENGINE DIMENSIONS B0BTAIL
 Drawing No: 22754398
 Issue No: 02
 Sheet No: 1(11)

VOLVO PENTA